



## Smart lift

### SL 608 Outdoor High Lifter

Product information and specifications



The lifting head has two settings, adjusted by means of two holes for the locking bolt. The lifting head can therefore be adjusted to tilt more towards the ceiling or floor.



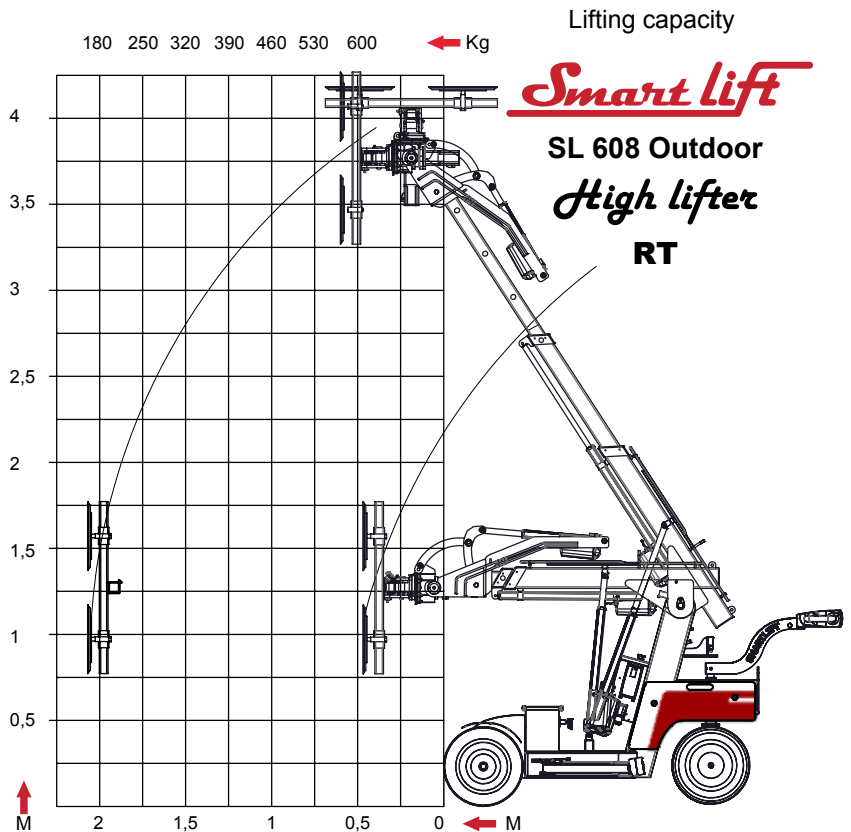
The SmartLift can lift items horizontally in rooms with low ceiling height.



Even from a high height the SmartLift is able to lift items that are in a horizontal position.

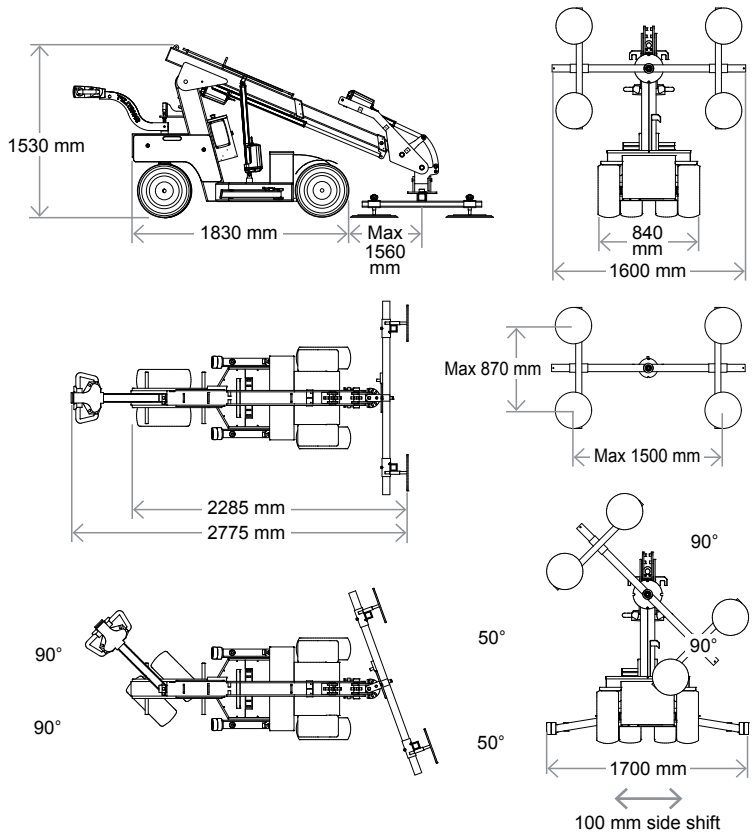


If desired, a cordless remote control can be selected, which also makes all motion functions accessible.



## Technical data

Description	Value
Weight	950 kg
Height	1530 mm
Width (min)	840 mm
Length (min)	2285 mm
Extension of arm	700 + 900 mm
Tip from horizontal	40° back/100° forward
Speed regulation	Stepless high/low
Side shift	100 mm
Vacuum system	2 circuits
Lifting height mounting	4080 mm
Charging voltage	230 volt
Integrated charger	Victron Energy
Charging time	Approx. 8 hours
Battery (2 x 12 v) 24 volt	2 x 105 A
Running period	Up to 8 hours
Front-wheel drive	1200 W - AC
Brake	Electronic
Suction pads	4 x 400 mm
Lifting capacity arm in/extended (1600 mm)	608 kg/150 kg



[www.instant.no](http://www.instant.no)

**INSTANT**

**Norway**

Tel.: +47 23 19 11 00  
info@instant.no

**Lithuania**

Tel.: +370 5 233 1096  
info@instant.lt

**Latvia**

Tel.: +371 263 58 152  
info@instantlatvija.lv

**Estonia**

Tel.: +372 680 76 33  
info@instant.ee